

The new 920DX is a High Performance 640mm by 430mm tunnel dual view checkpoint screening system with excellent threat detection alert capabilities.

INDUSTRY BEST RESOLUTION

EXPLOSIVES & NARCOTICS DETECTION

LOW DENSITY IMAGE ENHANCEMENT

MATRIXING, NETWORKING & REMOTE VIEWING

EU
2015/1998
COMPLIANT

US
TSA
ACSTL QUALIFIED

EU
ECAC C1
APPROVED

EU
ECAC LEDS
APPROVED

SPECTRUM 4-COLOR IMAGING

920DX can present images to the operator in the Classic 4-color and the new proprietary Spectrum 4-color (SP4) option providing superior image, allowing improved security by quick and accurate identification of threats and increase in throughput.

EXPLOSIVES AND NARCOTICS DETECTION

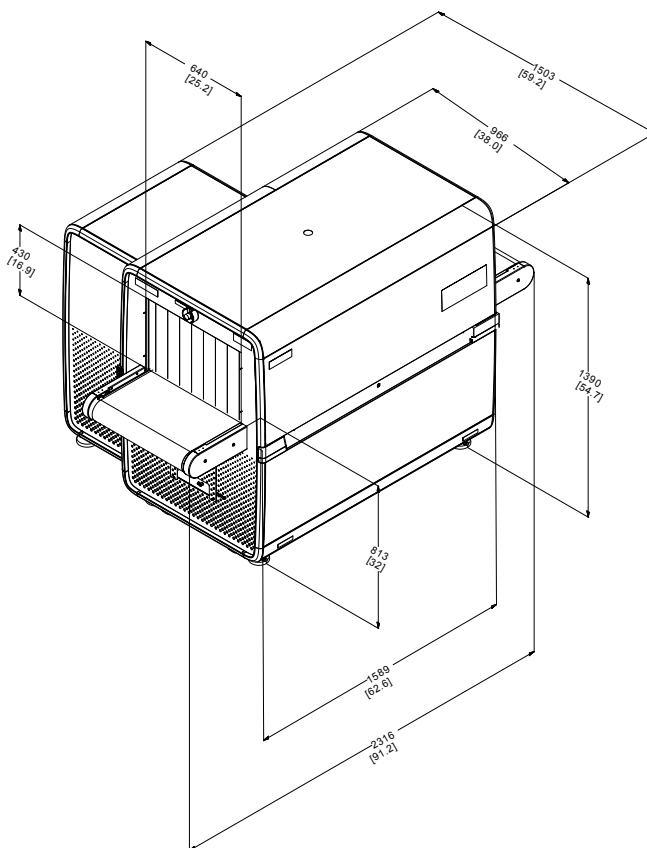
Target and NARCScan are designed to detect a wide range of explosives and narcotics respectively in real time during the scanning process by marking a potential threat on the X-ray image. Rapiscan[®] Systems detection algorithms are based on regulatory approved material analysis techniques.

DUAL MODE AUTO Z_{EFF}

The Dual Mode Z_{eff} feature aids the operator in the identification of organic materials, either in Range Mode which highlights areas based on operator selected Z-effective values of 7, 8 or 9, or in Interactive Mode which gives the operator the option to display the Z-effective number of a selected pixel.

EUROPEAN AVIATION COMPLIANCE

920DX is in full compliance with the latest requirements of Commission Implementing Regulation (EU) 2015/1998 of 5 November 2015 laying down detailed measures for the implementation of the common basic standards on aviation security.



PHYSICAL SPECIFICATIONS ¹

DIMENSIONS	L	2,316 mm (91.2 in)
	W	1,503 mm (59.2 in)
	H	1,390 mm (54.7 in)
TUNNEL SIZE	W	640 mm (25.2 in)
	H	430 mm (16.9 in)
CONVEYOR HEIGHT		813 mm (32 in.)
WEIGHT (NET)		897 Kg (1978 lbs)

ENVIRONMENT & POWER

STORAGE TEMPERATURE	-20°C to 50°C
OPERATING TEMPERATURE	0°C to 40°C
RELATIVE HUMIDITY	5 to 95% non-condensing
SYSTEM POWER	100/110/120/200/208 /220/230/240 VAC ±10%

PERFORMANCE ²

CONVEYOR SPEED ¹	0.22 m/sec (43.3 ft/min)
CONVEYOR LOAD ¹	165 Kg (364 lbs)
STEEL PENETRATION	41 mm typical, 40 mm standard
WIRE RESOLUTION	41 AWG typical, 40 AWG standard
SPATIAL RESOLUTION	0.8mm Vertical, 0.8mm Horizontal

X-RAY GENERATOR

ANODE VOLTAGE	160kV
ORIENTATION	Vertically Upward and Horizontal

KEY FEATURES AND OPTIONS

- Explosive threats, narcotics & density alerts
- Spectrum 4
- 17 Image processing functions
- SINERGY low density enhancement
- Dual Mode Z-effective
- CrystalClear™
- Automatic, Enhanced Image Archiving
- Remote Status Monitoring
- Remote Archive Review
- Multi-System Alarm Resolution Network
- Multiplexing and Matrixing
- Tray Return System Compatible
- 13 Languages
- 64-bit Operating System

Rapiscan[®]
systems
An OSI Systems Company

ScanS[®]
64-bit Operating System

STATE OF THE ART SECURITY ISN'T OPTIONAL.

